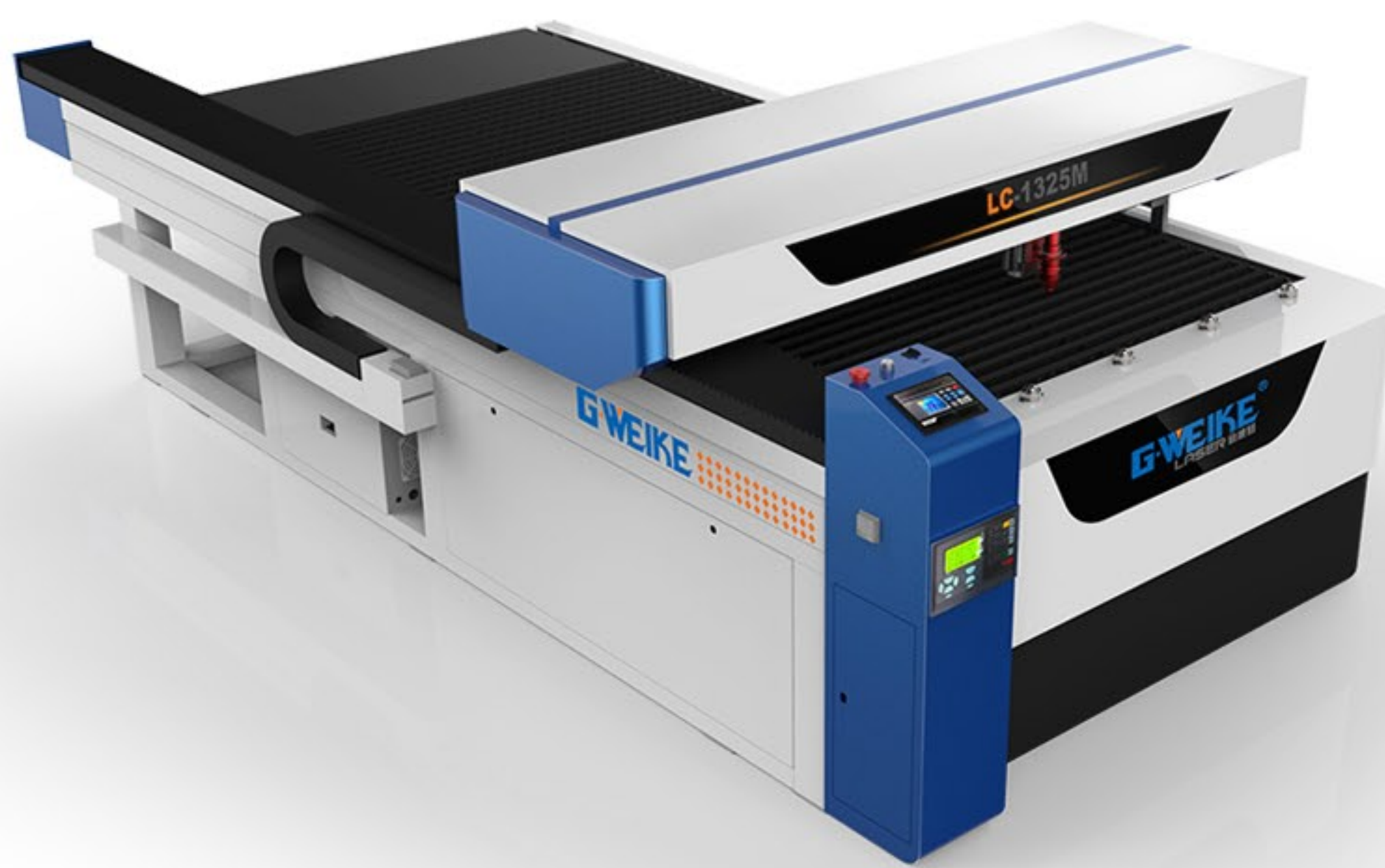


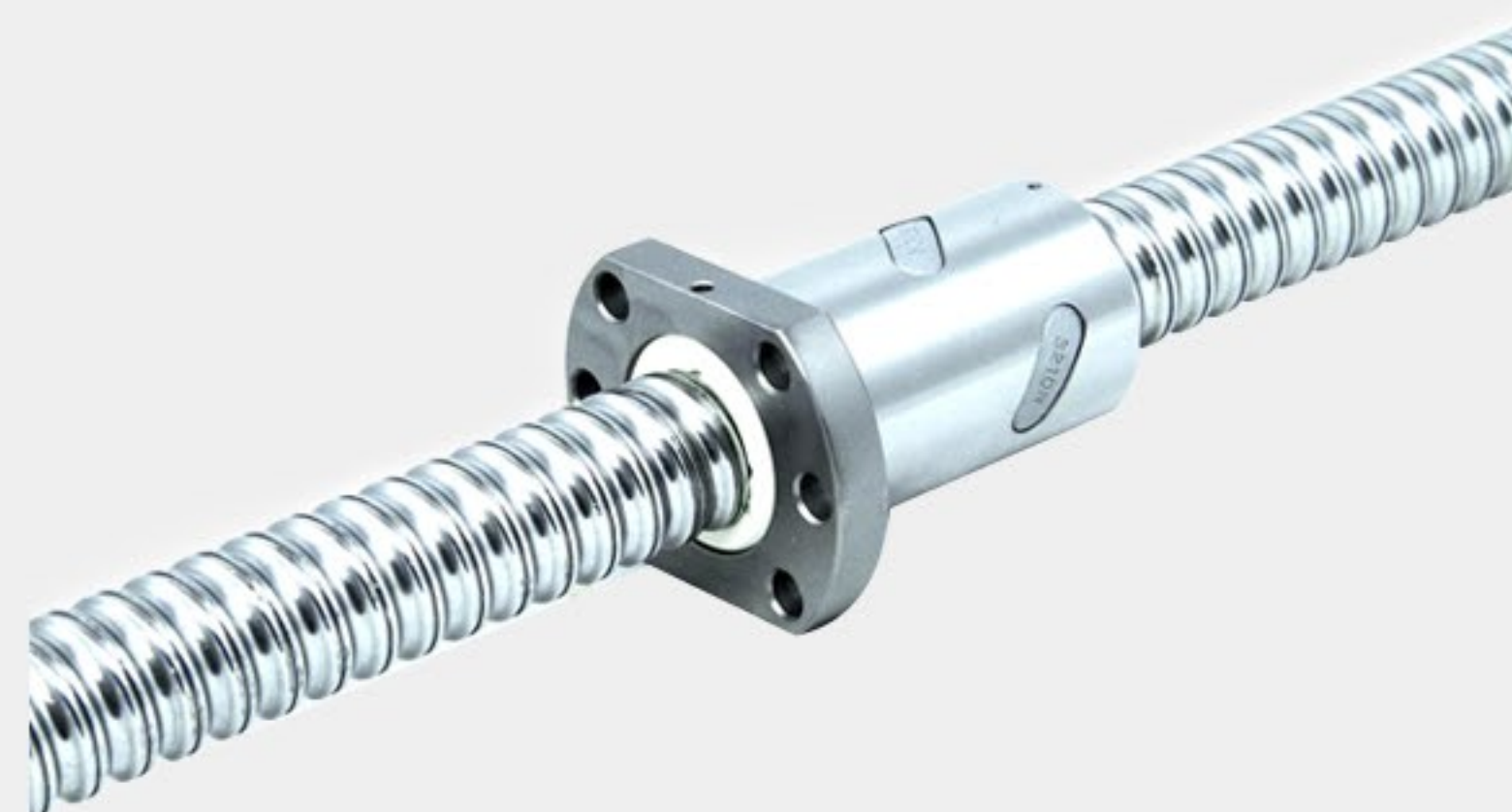
LC1325M

CO2 METAL & NONMETAL LASER CUTTING MACHINE

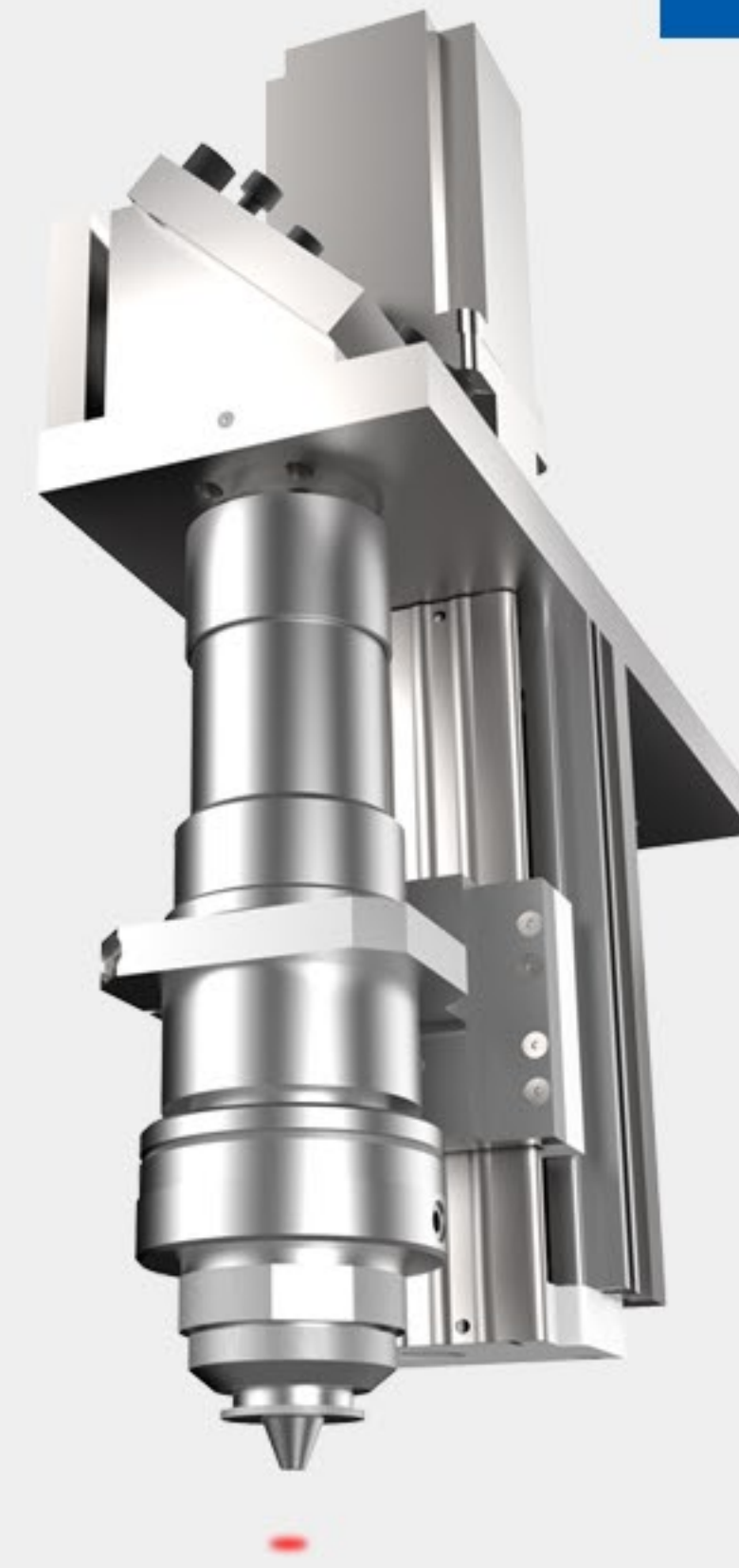


It has a broad cutting range, it can cut both metal and nonmetal materials, etc.

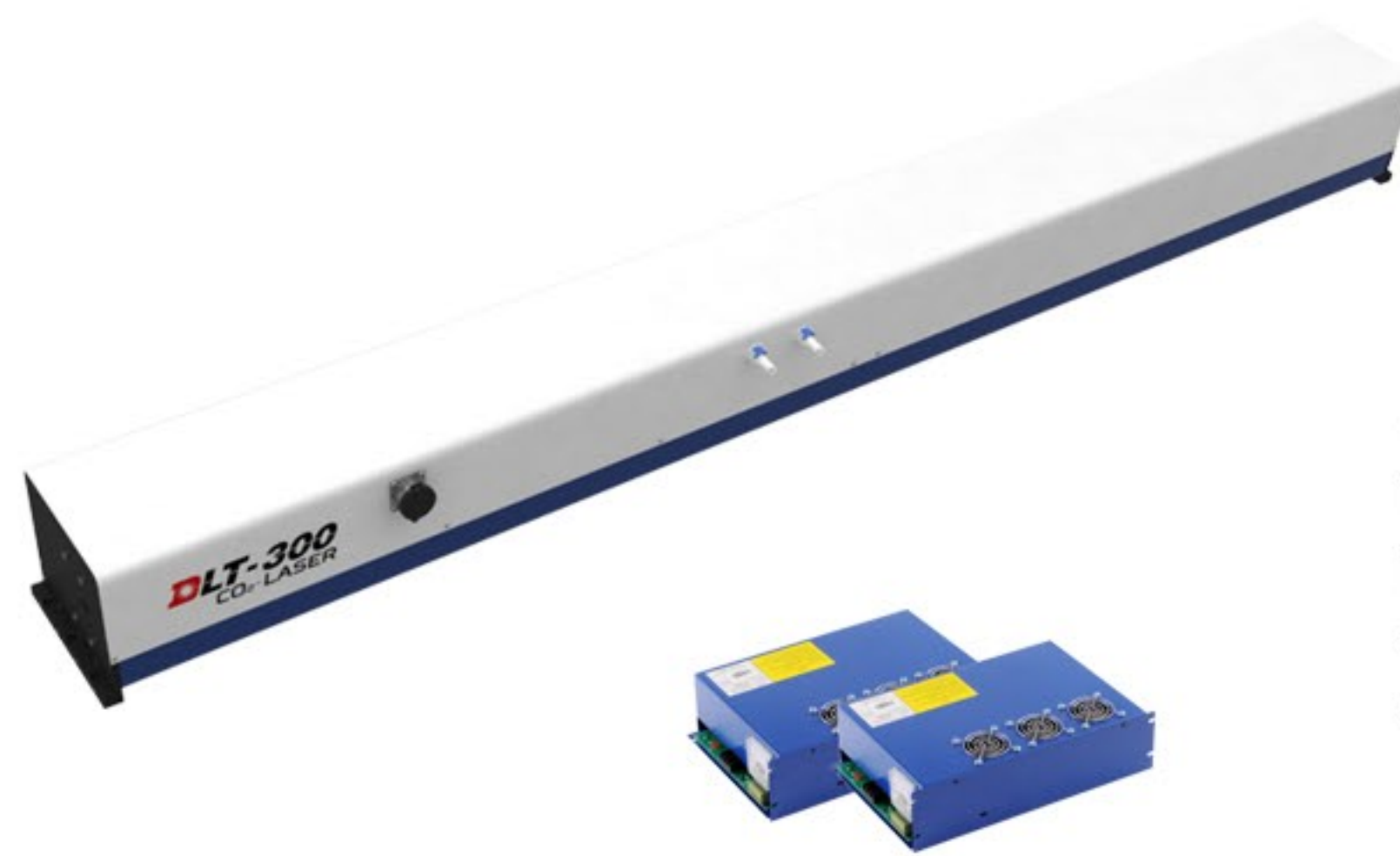
Adopted Taiwan TBI Ball Screw, high movement efficiency, low heat, so it can achieve high-speed feed, high precision, excellent durability.



Adopted Panasonic servo motor, high efficiency, low noise, low operating temperature, low radiation electro magnetic radiation, long life, can be used in a variety of environments.



Adopted Au3tech capacitive height controller to achieve auto focus.
Auto focusing makes the laser head focus easily and quickly. Do not need to adjust the focal length by hand, saving much time and has higher accuracy.



Adopted Yongli 300W Beam Combination laser tube, it includes integrated design combined device, and dedicated power supply. It features with high output power and stable spot mode. Single or double sets of synchronous control are all available, the power within 50-300W can be adjusted continuously.

Technical Parameters

Working Area	1250 x 2500(mm)
Machine Size	3600 x 1850 x 1300(mm)
Positioning Accuracy	±0.05mm/m
Positioning Speed	20m/min
Power Supply	220V±10%/10A

Industry Applications

Wood, organic glass, plastic, garments, paper, leather, rubber, and other nonmetal materials.



JINAN G.WEIKE SCIENCE & TECHNOLOGY CO.,LTD

In hi Tech square High-Tech Zone, Jinan,Shandong,China

E-mail: wkcutt@163.com

Hotline: 400-061-521

Fax: +86-0531-88912386